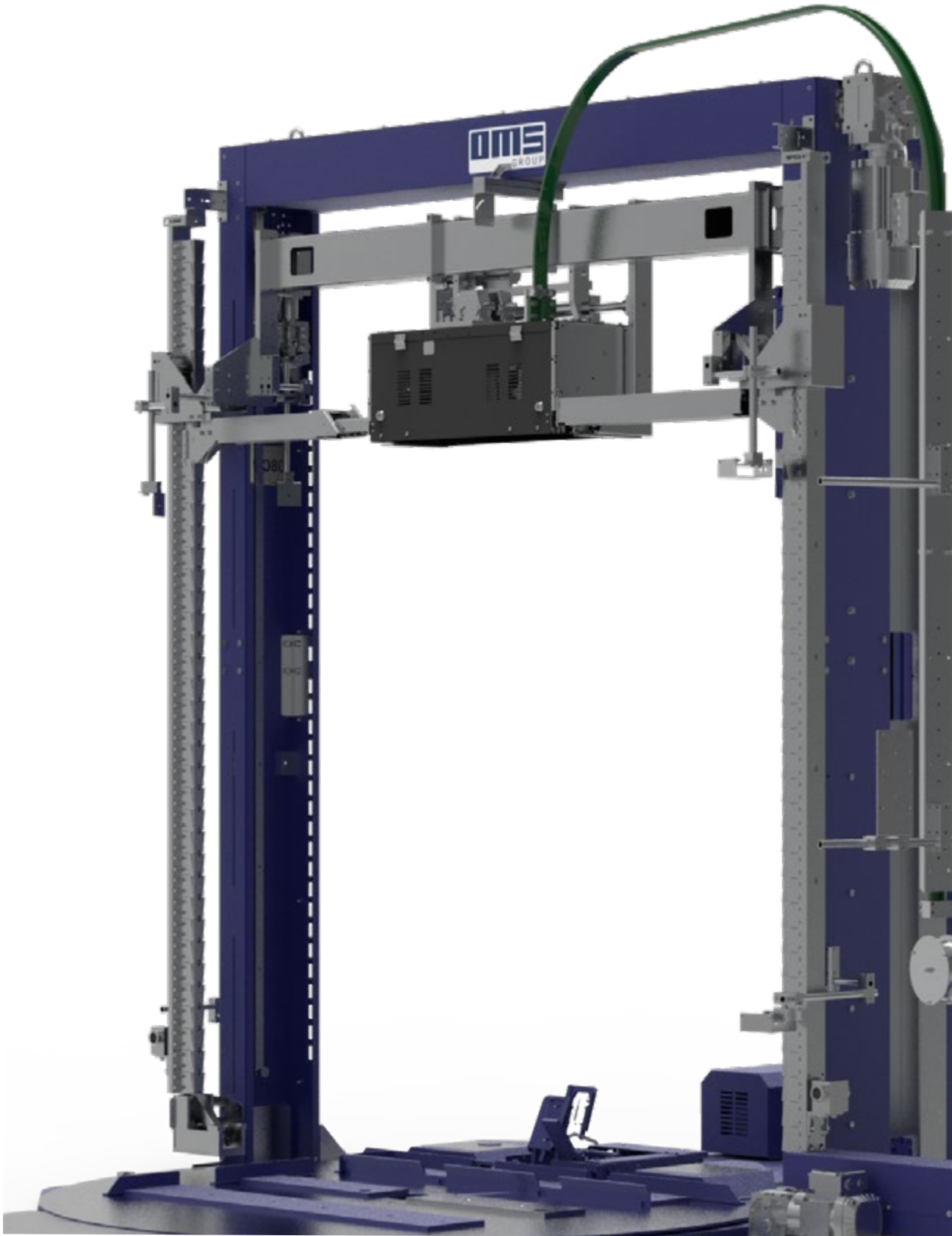




VERTICAL STRAPPING AND WRAPPING SYSTEM



08COMBO

08COMBO

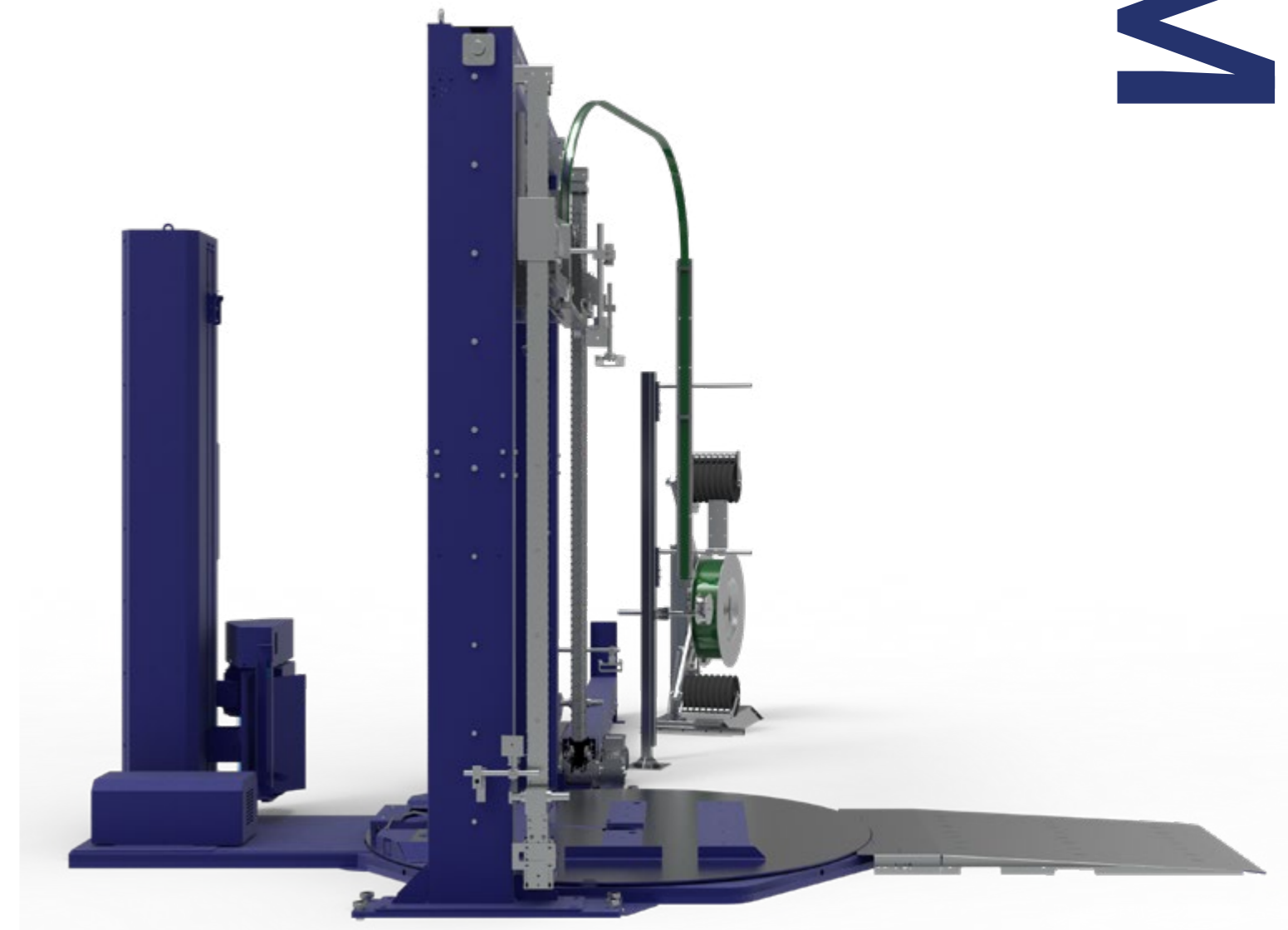


VERTICAL STRAPPING AND WRAPPING SYSTEM

AUTOMATIC - CONFIGURABLE - FLEXIBLE

The **08Combo** is an integrated system that combines a **vertical strapping machine** and a **wrapping machine**. Since it's a **compact, safe** and **fully automatic** solution, it's perfectly suited for the **picking industry**.

The strapping machine features an **electrically driven upper head**, a **gantry structure**, and a **chain-driven mechanism**; the fully **automatic low-profile rotary table wrapper** is equipped with automatic **film clamping system**, automatic **film cutting, film sealing** system, and "tail" elimination device, ensuring efficient and secure packaging.



SYSTEM

WHY BUY

VERSATILITY

OPTIMIZED DESIGN

CONFIGURABLE
MODULAR STRUCTURE

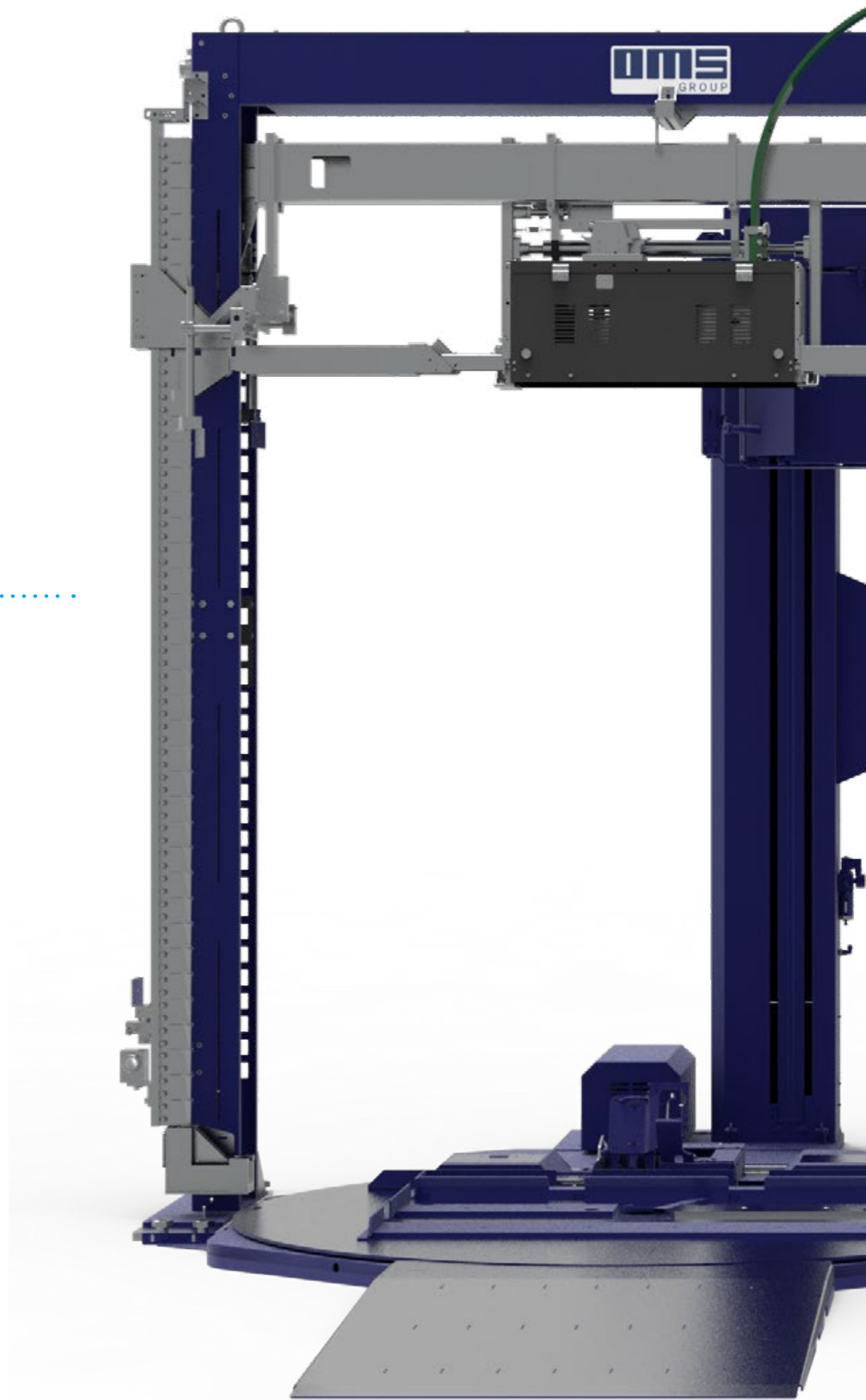
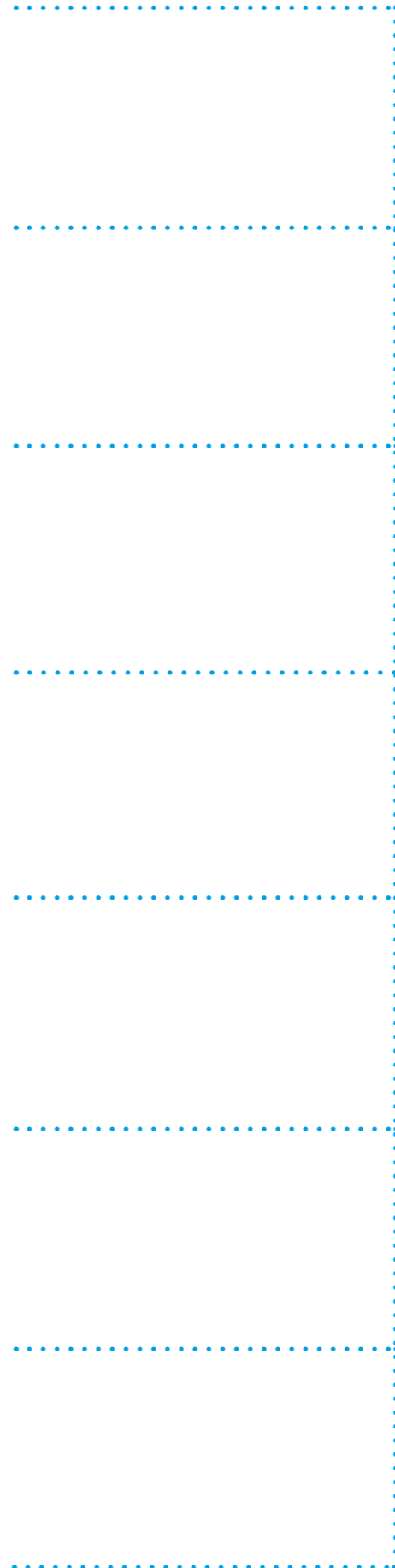
FAST DELIVERY

QUICK AND EASY
INSTALLATION

EASY CONNECTION

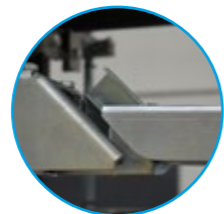
FULLY AUTOMATIC
SYSTEM

USER FRIENDLY AND EASE
OF MAINTENANCE



FEATURES

Strapping head mounted on **floating tension compensation system**



Anti-collision safety photocells for descent movement



Retractable bayonet controlled by the inverter



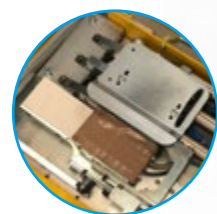
Standard coil holder PB11



Automatic descent blocking device, in any position, for machine maintenance



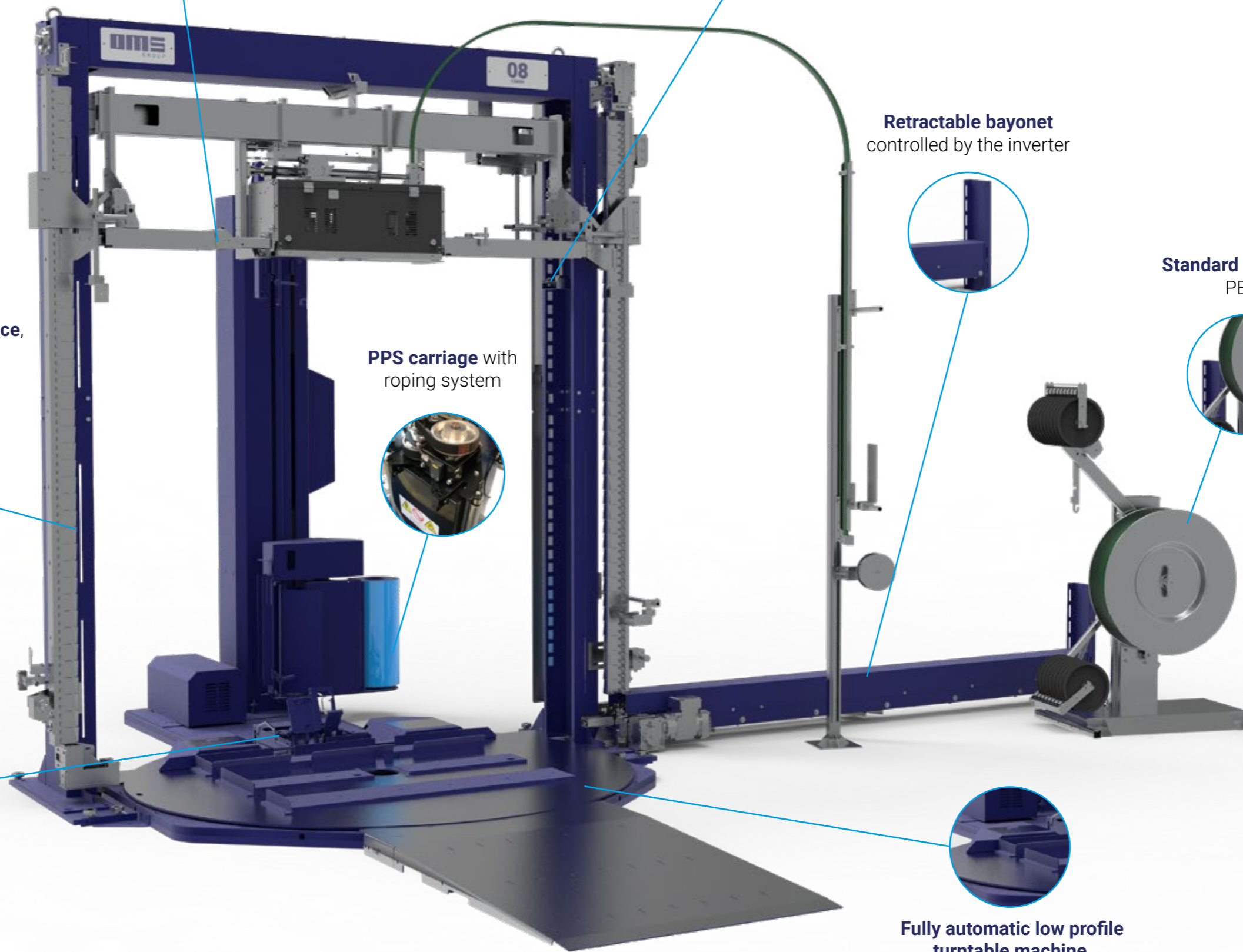
PPS carriage with roping system



Sealing unit

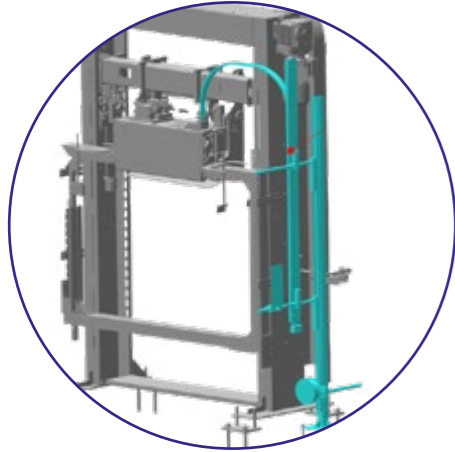


Fully automatic low profile turntable machine

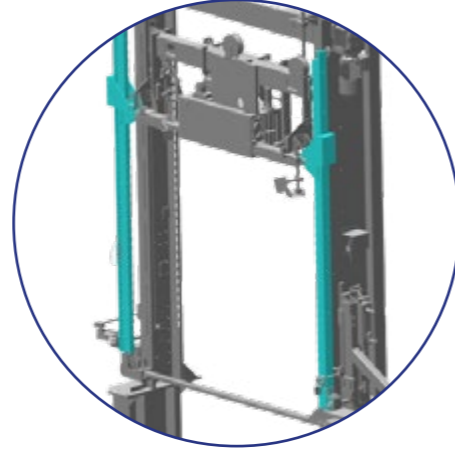


Optionals

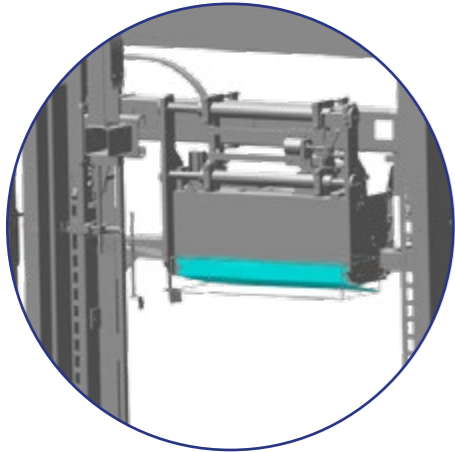
Strap insertion from the ground level



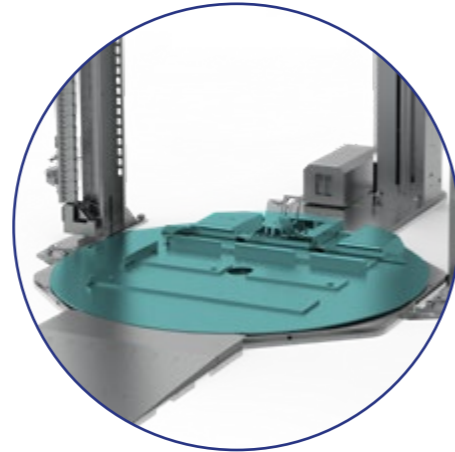
Telescopic channels for strap feeding with head in any position



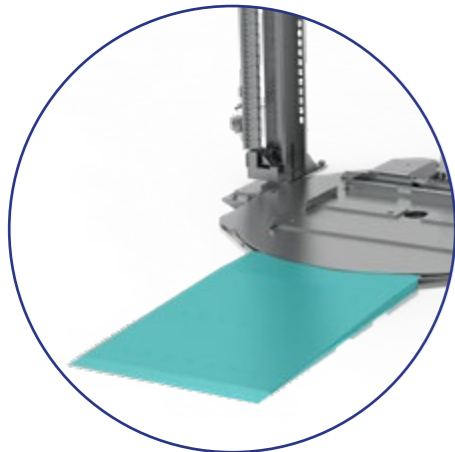
Feeler plate for head stop on package



2000 kg max pallet weight



Loading ramp for forklift



Others

- Adjustable strap tensioning via HMI
- Bayonet safety photocells

Applications



LOGISTICS



BAGS



CONSTRUCTION



CERAMIC



GLASS



PAPER



PAPERBOARD

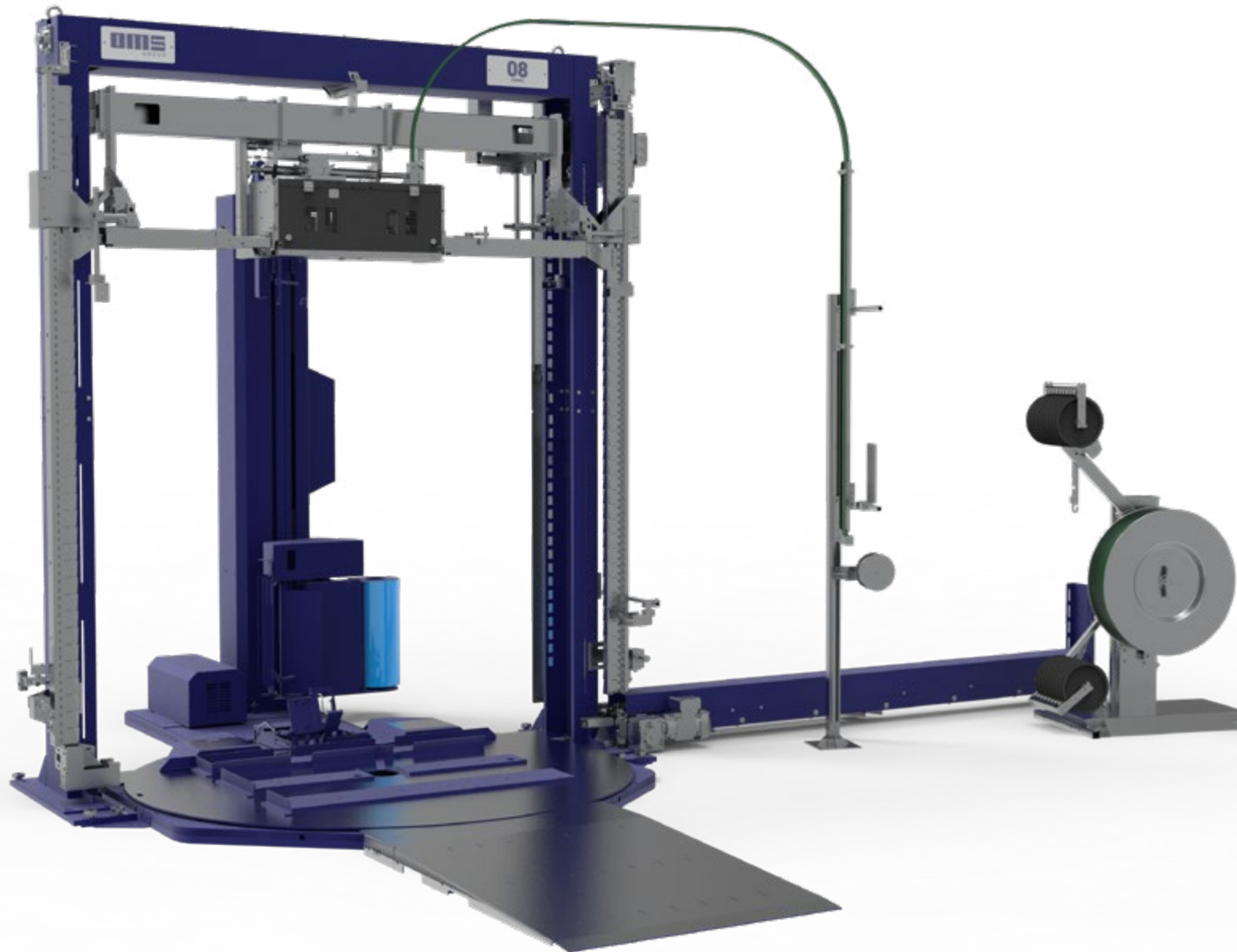


FRUITS and VEGETABLES



CANS

08COMBO



VERTICAL STRAPPING AND
WRAPPING SYSTEM

AUTOMATIC - CONFIGURABLE - FLEXIBLE



www.oms-group.com
info@oms-group.com

