



## STRETCH-HOODING MACHINE



# IS43

IS43

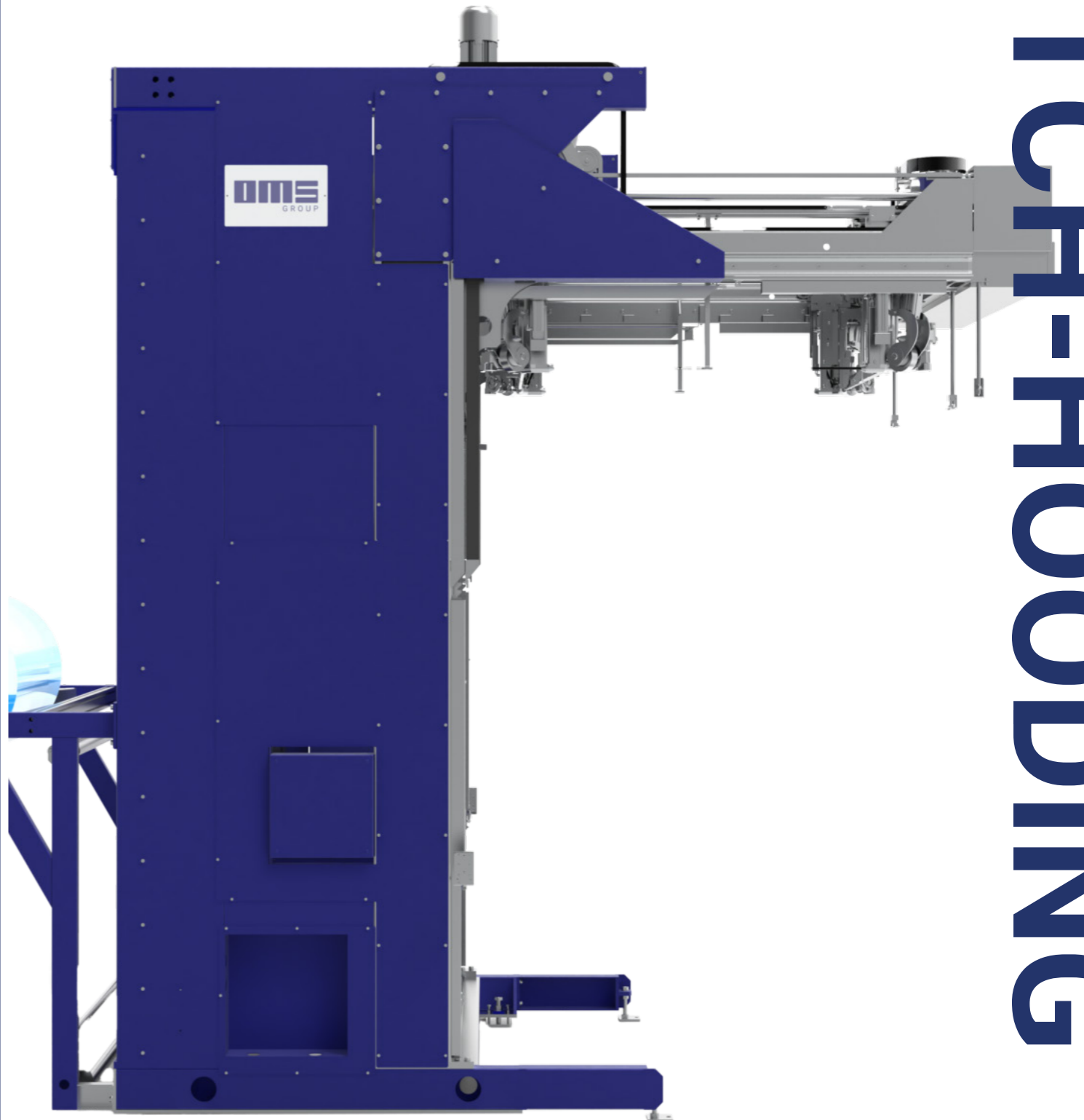


STRETCH-HOODING  
MACHINE

SUSTAINABLE - SAFE - SIMPLE

The **IS43** is a fully automatic **stretch-hooding machine** that performs **all operations at ground level**, ensuring **easy maintenance** and enhanced **operator safety**.

Equipped with **auto-dimensioning film gathering group**, **vertical stretch application**, and **integrated sealing**, it delivers **reliable performance** across multiple industries including **ceramics**, **construction materials** and **all types of bagged products**.



STRETCH-HOODING

# WHY BUY

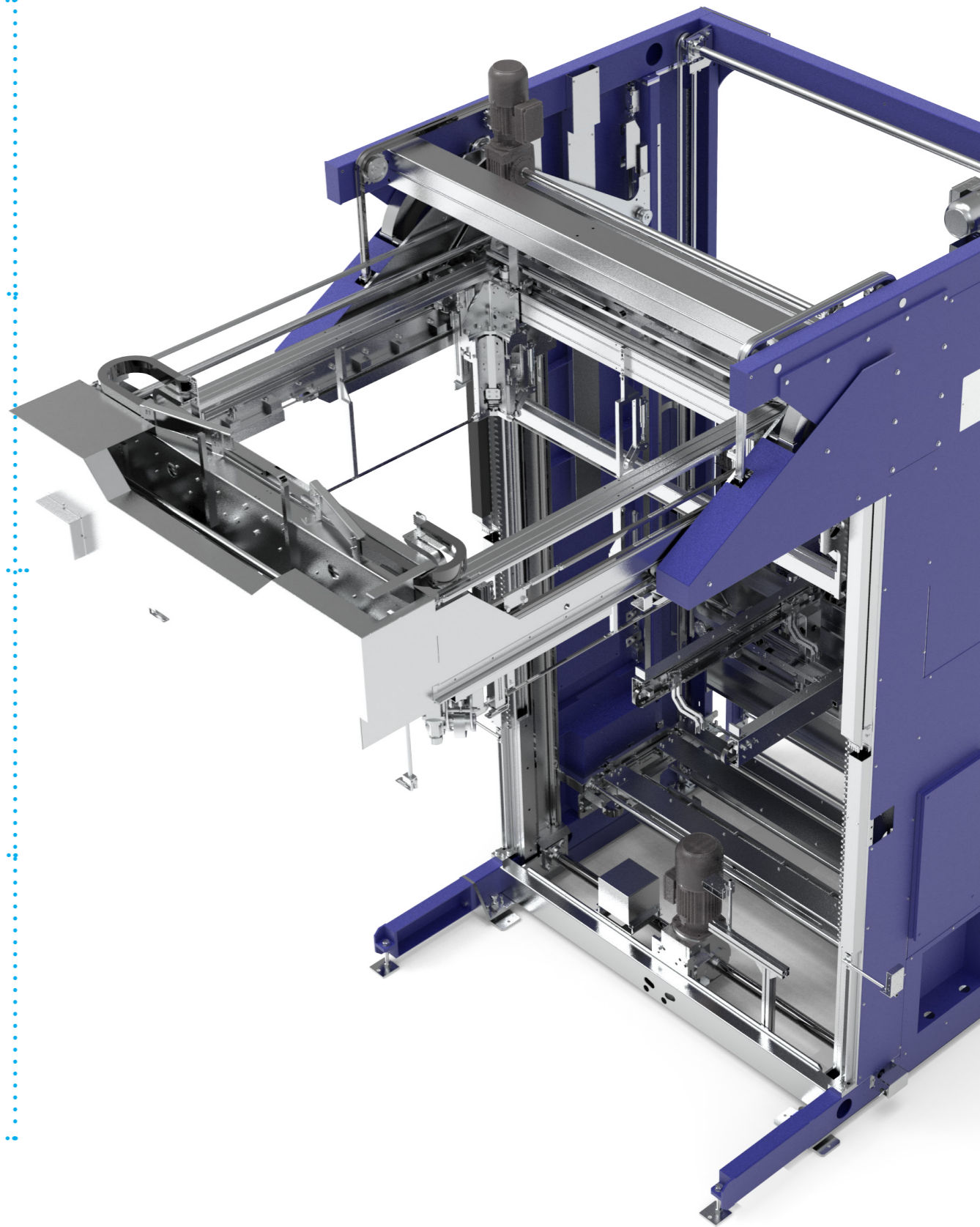
**ECO-FRIENDLY**  
(no heat needed)

**SUSTAINABLE**  
(low film consumption)

**SAFE**  
(all the operations on ground level)

**SIMPLE**  
(easy procedure)

**EASY INTEGRATION**  
(compact and suitable for all types of conveyor)



# FEATURES

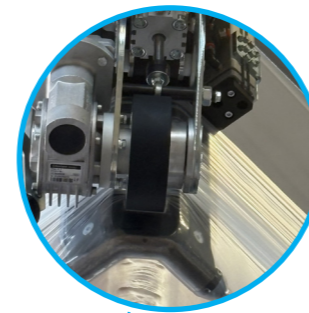
**Sonar pallet high reading**



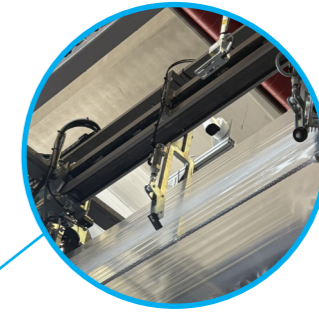
**Anti-fall safety system**



**Vertical film stretching system up to 30%**



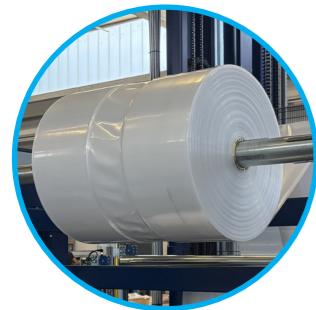
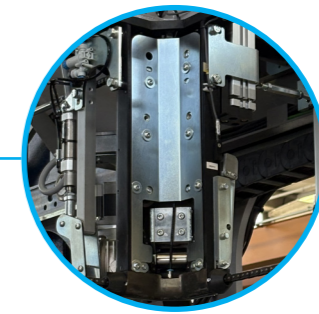
**Anti-collision safety system**



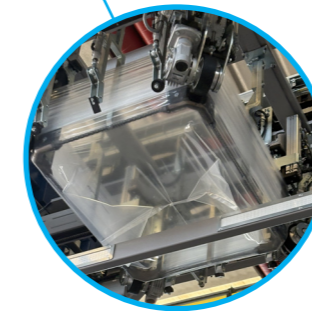
**Machine structure**  
positioned laterally to the conveyor



**Auto-dimensioning film gathering group**, adapting to package dimensions



**Single, double or triple coils holder** with motorized unwinding and automatic change format

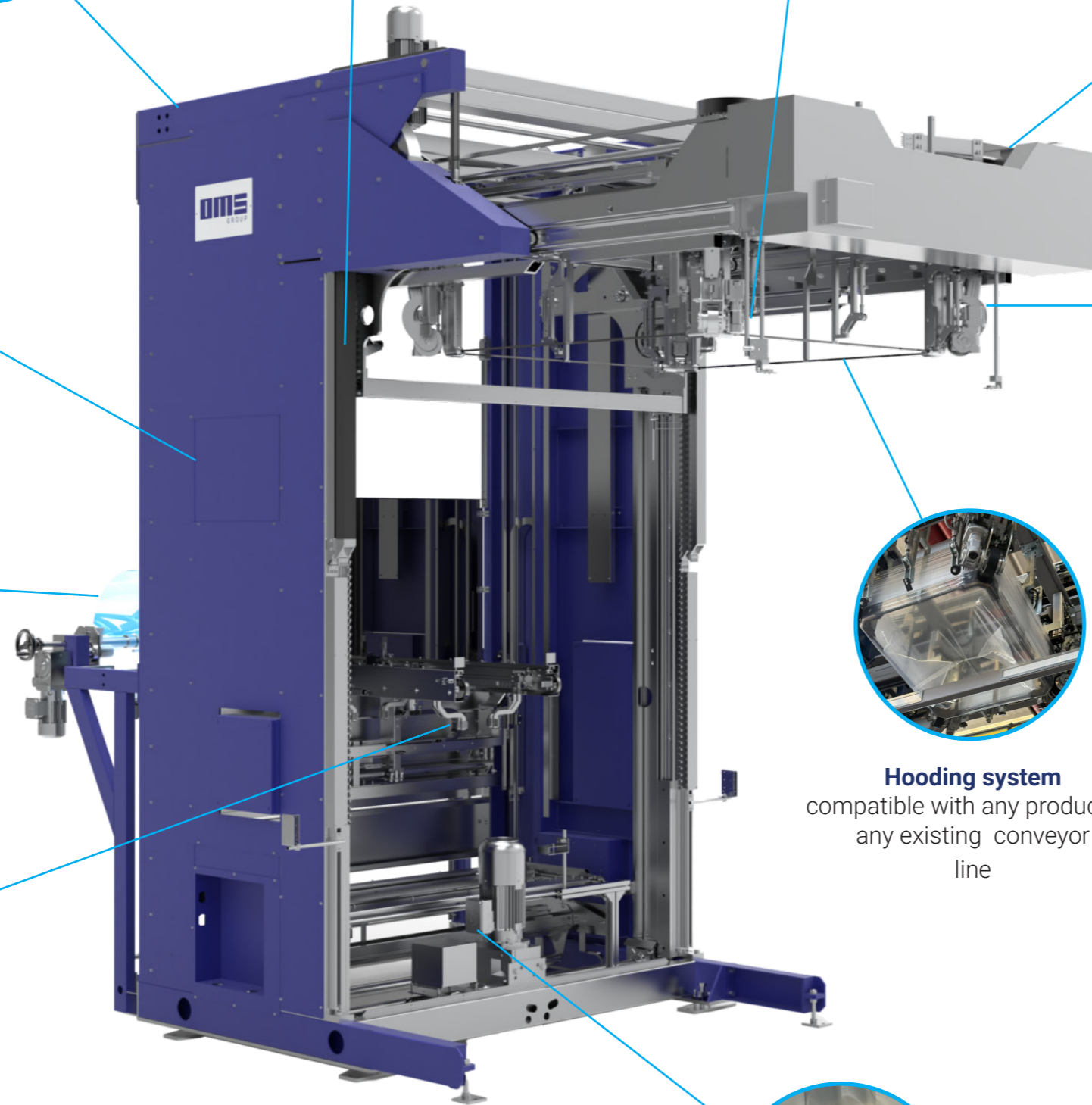


**Hooding system**  
compatible with any product on any existing conveyor line



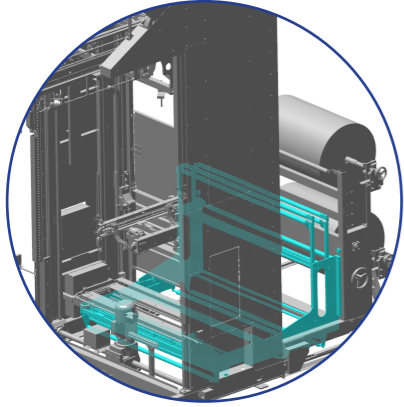
**System for gripping and opening** the elastic hood

**Film loading unit, sealing bar assembly, and film cutting system** on floor level

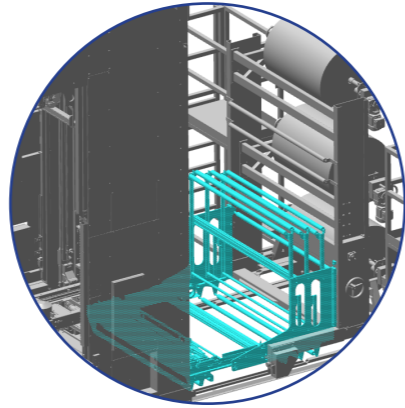


# Optionals

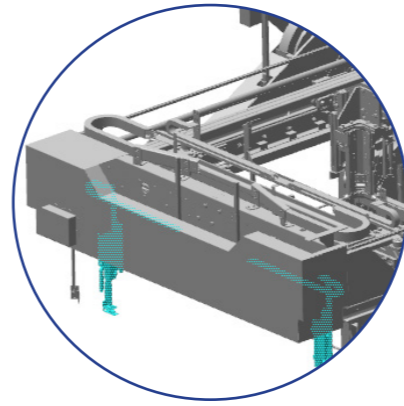
Dual format



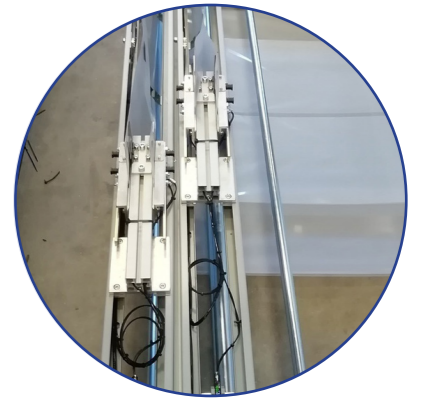
Triple format



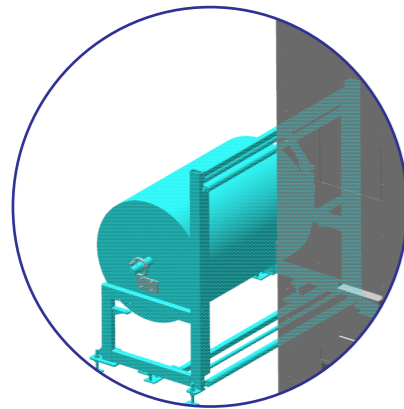
Retractable photocells



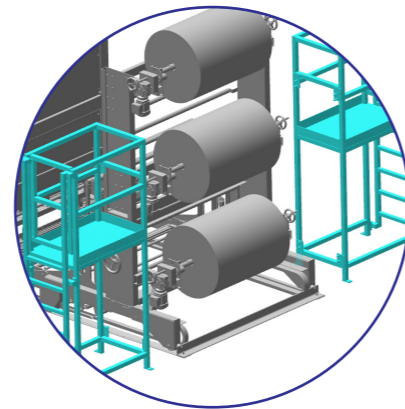
Mark reader



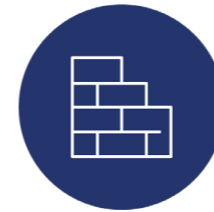
Film coil 1000 kg



Gangway for triple format



# Applications



BRICKS



CONSTRUCTION



CERAMIC



BAGS



BALES



PAPER



WHITE GOODS

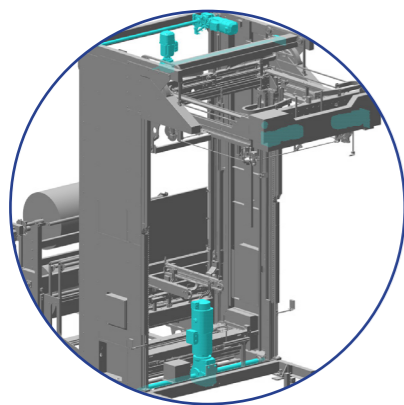


LOGISTICS

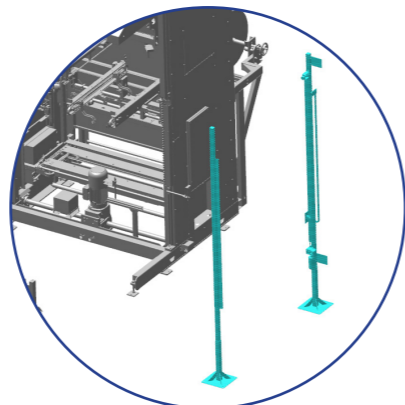


OTHER SECTORS

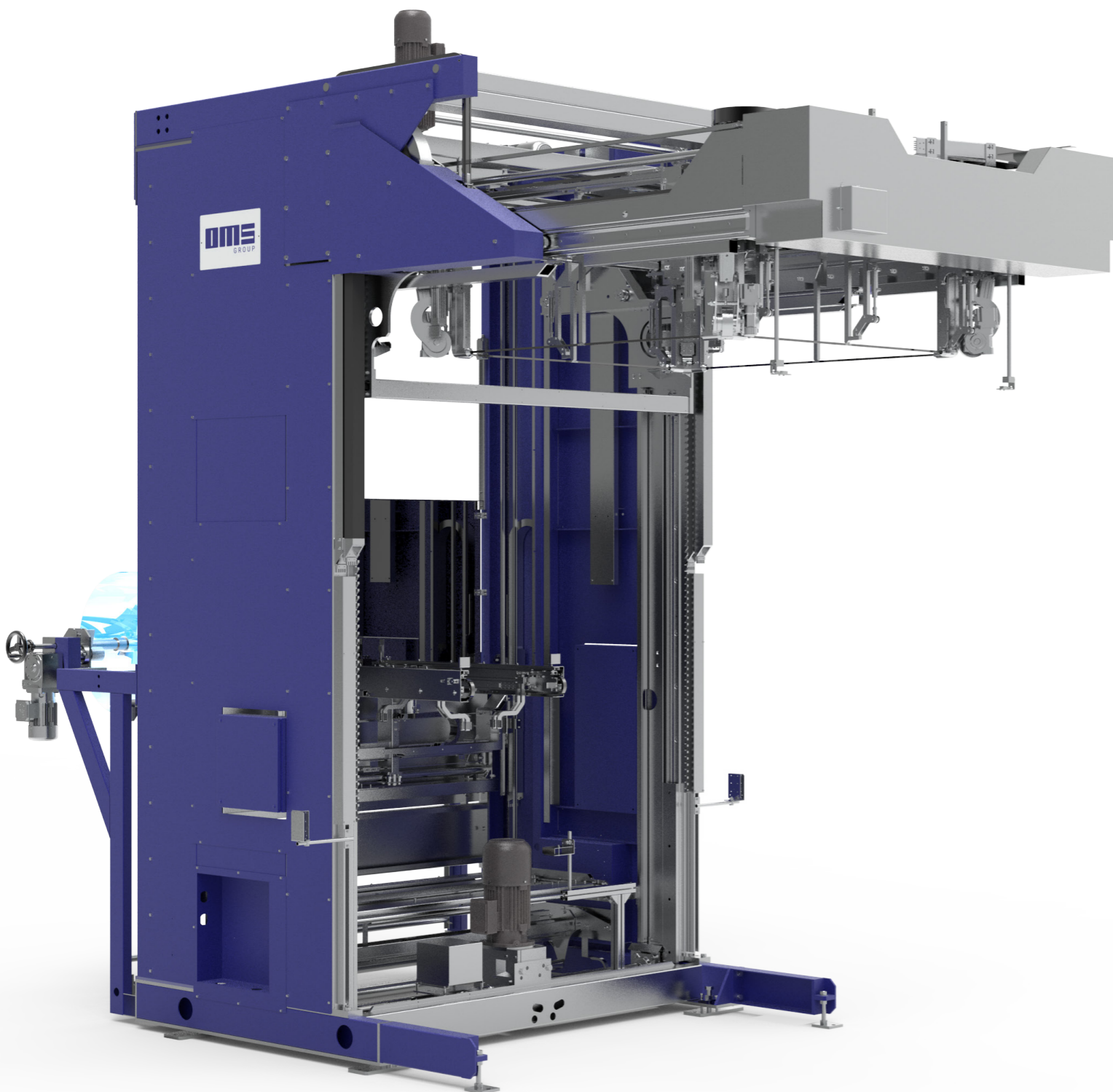
High speed machine



Special motorized height measuring device



IS43



**STRETCH-HOODING  
MACHINE**

**SUSTAINABLE - SAFE - SIMPLE**



[www.oms-group.com](http://www.oms-group.com)  
[info@oms-group.com](mailto:info@oms-group.com)

